

## THE EFFECT OF OPTIMUM STIMULATION LEVEL AND EXPLORATORY INFORMATION SEEKING ON ONLINE PURCHASE INTENTION\*

Didem DEMİR<sup>1</sup>, Hilal İNAN<sup>2</sup>

### Article Info

Research Article

DOI: 10.35379/cusosbil.1032040

Article History:

Received 03.12.2021

Revised 29.03.2022

Accepted 26.04.2022

Keywords:

Extroversion,

Optimum Stimulation Level,

Exploratory Information Seeking,

Online Purchase Intention.

### ABSTRACT

The shopping activities of people via the internet vary according to different personality traits. The level of stimulation that occurs at different levels depending on their personality traits will be reflected in their exploratory search for information. In this study, it is aimed to determine how extroverted consumers affect their exploratory search for information and their online purchase intentions depending on their stimulation levels in online shopping processes. Both to fill the gap in the marketing literature and to create competitive advantage for companies the effect of exploratory information seeking tendencies, which emerged because of extroverted individuals' arousal, on online purchase intention was examined. Survey data were collected from 401 participants in Adana. With the structural equation model application, it was found that extroverted people with differences in arousal levels tended to seek exploratory information. It has also been found that these components influence online purchase intention. The theoretical and practical implications of the findings are discussed over the results of the research.

## OPTİMUM UYARILMA SEVİYESİ VE KEŞİFSEL BİLGİ ARAMANIN ÇEVİRİMİÇİ SATIN ALMA NİYETİNE ETKİSİ

### Makale Bilgisi

Araştırma Makalesi

DOI: 10.35379/cusosbil.1032040

Makale Geçmişi:

Geliş 03.12.2021

Düzeltilme 29.03.2022

Kabul 26.04.2022

Anahtar Kelimeler:

Dışadönüklük,

Optimum Uyarılma Düzeyi,

Keşifsel Bilgi Arama,

Çevrimiçi Satın Alma Niyeti.

### ÖZ

Kişilerin internet aracılığı ile gerçekleşen alışveriş faaliyetleri farklı kişilik özelliklerine göre değişiklik göstermektedir. Kişilik özelliklerine bağlı olarak farklı seviyelerde oluşan uyarılma düzeyi onların keşifsel bilgi arama arayışlarına yansımaktadır. Bu çalışmada çevrimiçi alışveriş süreçlerinde dışadönük tüketicilerin uyarılma seviyelerine bağlı olarak keşifsel bilgi arama arayışlarını ve çevrimiçi satın alma niyetlerini nasıl etkilediğini belirlemek amaçlanmıştır. Hem pazarlama literatüründeki boşluğu doldurmak hem de şirketlere rekabet avantajı yaratmak amacıyla dışadönük bireylerin uyarılması sonucunda ortaya çıkan keşifsel bilgi arama eğilimlerinin çevrimiçi satın alma niyeti üzerindeki etkisi incelenmiştir. Anket verileri Adana'da 401 katılımcıdan toplanmıştır. Yapısal eşitlik modeli uygulaması ile uyarılma düzeyleri farklı olan dışadönük kişilerin keşifsel bilgi arama eğiliminde olduğu bulunmuştur. Ayrıca bu bileşenlerin çevrimiçi satın alma niyeti üzerinde etkisi olduğu tespit edilmiştir. Bulguların teorik ve pratik sonuçları, araştırma sonuçları üzerinden tartışılmaktadır.

\*Bu çalışma ilk yazarın, ikinci yazar danışmanlığında yürütülen doktora tezinden türetilmiştir. Yazarlar çalışmanın etik kurallara bağlı olarak hazırladığını taahhüt eder.

<sup>1</sup> Öğr. Gör. Dr., Toros Üniversitesi, didem.demir@toros.edu.tr, ORCID: 0000-0003-4589-8240

<sup>2</sup> Prof. Dr., Çukurova Üniversitesi, İİBF, ihilal@cu.edu.tr, ORCID: 0000-0003-4321-0430

Alıntılanak için/Cite as: Demir, D., İnan, H. (2022), The Effect of Optimum Stimulation Level And Exploratory Information Seeking on Online Purchase Intention, Çukurova Üniversitesi Sosyal Bilimler Enstitüsü Dergisi, 31 (1), 266-278.

## INTRODUCTION

Optimum stimulation level (OSL) is a personal trait that determines the level of individuals' stimulation (Avornyo et al., 2019, p. 348). Optimum stimulation level is also related to individuals' environmental stimulation (Raju, 1980). Each individual has his or her own stimulation level and it changes according to complexity and novelty of the environment (Guido et al., 2007, p. 2). As stated by Steenkamp and Baumgartner (1992, p. 434) 'the fact that exploratory tendencies are related to a person's characteristic and stimulation suggests OSL as a major determinant of consumer behaviour with strong exploratory elements.

Matzler et al. (2006) pointed out that consumers who have a higher degree of socialization are more willing to share their experiences with others to attract other people's attention when purchasing a good or a service. Thus, consumers with a high degree of extroversion tend to have a higher proportion of exploratory purchasing motivation (Steenkamp & Burgess, 2002). In addition, extroverted individuals are excited in search of arousal (Zhao & Seibert, 2006, p. 260). 'Extroversion belongs to the interpersonal dimension and is closely related to the quality of social interactions' (McCrae, R. R., & Costa, 1989, p. 586). Extroverted individuals who are taking higher risk change their behaviours more frequently and who have more physical activities are looking for stimulation much more than introvert individuals (Blackburn, 1969). Surfing is one of the components of exploratory behaviour and when individuals reach available information, they desire to keep themselves updated with the latest changes. (Rowley, 2000, p. 22). Exploratory behavior which is characterized by searching for information or doing research on websites affects individuals' attitude towards the websites. Individuals tend to explore the various possibilities offered by websites and if they develop a positive opinion of these websites their approach behaviors will be triggered (Richard & Chandra, 2005, p. 1022). Menon and Kahn (1995) stated that consumers need arousal due to their tendency for seeking innovation and diversity and taking high risks for stimulation. All consumers, regardless of predisposing trends, mostly use sensory mode in exploratory information seeking (EIS). For the same kind of product while different personality traits create functional perception for some people, it creates aesthetic perception for the others (Venkatraman, Deborah, MacInnis, 1985, p.103). More exploratory consumers tend to show more interest in sales promotions that encourage and offer added value (Chandon et al., 2000). In a study conducted by Legoharel (2009), he stated that exploratory information-seeking behavior is cognitive and exploratory purchasing behavior is caused by sensory stimulation. However, he stated that activities such as innovativeness, diversity search, brand change, entertainment shopping and information seeking behavior are indicators of exploratory tendencies in the consumer buying process. Personality traits and psychological mode affect the formation of a consumer's purchase motivation and in this study, only the relation of extroverted individuals with arousal was examined. Raju (1980) mentioned that people with low degree of OSL don't accept new and innovative products just to prevent themselves from the risks and this shows that marketers should find a way in order to give a message that their new products are not risky. This study contributes to fill the paucity of consumer behavior research in Turkey related to OSL and its impact on EIS. The findings of this research can guide marketers to carry out their promotional activities considering the need of arousal of consumers' for seeking exploratory information. The findings of this research can also guide manufacturers, as products could be designed according to the variety and curiosity needs of consumers to increase their online purchase intention through exploratory information seeking.

## LITERATURE REVIEW

### Extroversion

Extraversion reflects the tendency of individuals to be energetic, enthusiastic, and ambitious (Raja & Johns, 2004, p. 352). Extraverted individuals are more likely to seek stimulation (Zhao & Siebert, 2006, p. 260). In addition, extraverted individuals are prone to valuing social activities and intense human interactions (Bakker et al., 2006, p. 36). Extraversion is positively associated with sociability motivation for online shopping and is strongly associated with emotions (Larsen & Ketelaar, 1991, p. 135). Extraverts tend to emphasize the importance of social activities and intense human interactions (Bakker, Zee, Lewig, 2006, p. 34).

### Optimum Stimulation Level

Optimum stimulation level (OSL) is defined as a preferred or appropriate arousal (impulse) level in individuals (Raju, 1980, p. 273). OSL shows the amount of arousal people prefer in life (McReynolds, 1971, p. 157).

The optimum level of stimulation is consistent within the individual but varies from person to person (Steenkamp & Baumgartner, 1992, p. 445). When arousal falls below this level (complexity and/or arousal),

individuals get bored and try to raise it to the desired level (Soares, Farhangmehr & Ruvio, 2008, p. 676). On the contrary, when arousal (impulse) exceeds the optimal level, individuals try to reduce it to a more comfortable level (Hoyer & Ridgway, 1984, p. 115). According to the optimum stimulation level theory, individual behavior is influenced by the intrinsically motivated desire to achieve a certain level of stimulation, called the “optimum stimulation level” (Leuba, 1955, p. 29).

### **Exploratory Information Seeking**

Consumers seeking exploratory information are interested in looking at store windows, advertising and other promotional materials that provide marketing information, and enjoy talking to other consumers about their purchasing and consumption experiences (Baumgartner & Steenkamp, 1996, p. 125).

All consumers, regardless of predisposed tendencies, mostly use the sensory mode in exploratory information seeking. Different personality traits create a functional perception for some people and an aesthetic perception for some people for the same product. (Venkatraman, Deborah, MacInnis, 1985, p. 103) .

In a study conducted by Legohérel et al. (2009), they stated that exploratory information seeking behavior is cognitive, exploratory buying behavior is formed by sensory stimuli. In addition, he stated that activities such as innovation, variety seeking, brand switching, entertainment shopping and information seeking behavior are indicators of exploratory tendencies in the consumer purchasing process.

### **Online Purchase Intention**

According to Pavlou (2003, p. 112), the final stage of the online transaction is the intention to use a website and purchase a product. Therefore, online purchase intention is a vital feature in online consumer behavior. Athapaththu & Kulathunga (2018) stated that brand awareness, previous shopping experience, and website knowledge acquisition can increase customers' intention to purchase products online. Also, Kiel and Layton (1981, p. 233) stated that the level of satisfaction with the fulfillment of previous products or services will positively affect the customers' decision to seek information again.

Extroversion reflects the amount and intensity of relationships of individuals with their environment and refers to the tendency to contact the environment with energy, spirit, enthusiasm, trust and positive experiences (Rolland, 2002, p. 8). Extroverted individuals tend to be energetic, enthusiastic, and ambitious (Raja & Johns, 2004). Extroverts are associated with both social and human interactions (Langelaan, Bakker, Doornen, & Schaufeli, 2006, p. 525). Highly extroverted individuals are engaging in online shopping activities because it is crucial for them to share and receive information of shopping experiences on digital platforms (Wolfenbarger & Gilly, 2001, p. 36). Thoman et al. (2007) states that sharing on the virtual platform is consistent with social motivation. The optimum stimulation level in extroverted personalities is higher than those with introverted personalities (Ludvigh & Happ, 1974, p. 360). People with high extroversion are expected to believe they have sufficient competence to provide online reviews (Picazo-Vela, Chou, Melcher & Pearson, 2010, p. 688).

Accordingly, “H<sub>1</sub>” hypothesis is as following:

“H<sub>1</sub>”. Extroversion has a significant effect on optimum stimulation level.

Online consumers with low arousal levels prefer normal and easy accessible websites that they are familiar with. Individuals with a high arousal level prefer extraordinary websites for their originality and innovativeness because they need to be stimulated and they look for different stimuli (Dhar & Jha, 2014). Additionally, very low and very high levels of arousal creates negative hedonic tone in individuals. Positive hedonic tone developing in individuals moderate only with sensory stimulation (Ludvigh & Happ, 1974, p. 360). Some individuals prefer silent settings, while others actively seek to increase their arousal by selecting active, new, complex or unpredictable settings (Raju, 1980, pp. 272-273). When individuals with high arousal levels are motivated by acquiring information and curiosity, they seek more information than the ones with low arousal levels (Steenkamp & Baumgartner, 1992, p. 434). He et al. (2017) suggested that inquisitive responses may be present for individuals with both high and low arousal levels, but individuals with high arousal levels seek information because they want to search sites they do not know. On the other hand, individuals with low arousal level seek information to reduce the risks presented by foreign websites (Richard & Chebat, 2016, p.4).

According to the discussions above, this research, “H<sub>2</sub>” hypothesis is as follows:

“H<sub>2</sub>”. Optimum stimulation level has a significant effect on exploratory information seeking.

Consumers seek information even if they do not buy anything. (Smith, & Sivakumar, 2004, p. 1201). People who seek exploratory information do not pay much attention to the ease of use or reliability of technological products. These people have a high desire and motivation to try technological products (Dabholkar & Bagozzi, 2002, p. 187). Searching information about products on the internet affects the purchasing intentions of

consumers (Moe, 2003). Therefore, the services and campaigns offered on websites affect the consumers' intention to search for new things and also their purchase intentions (Tsao & Chang, 2010, p. 1802-1803). Some interactions for searching exploratory information on the internet may be more fun (Smith & Sivakumar, 2004).

Although diversity research is limited on online research, the search for diversity or diverse behavior result from interpersonal goals (McAlister & Pessemier, 1982, p. 314). Consumer behavior research has associated consumers' search for diversity with the presence of an ideal stimulation level as a personal trait for innovation, complexity, or change (Mahatanankoon, 2007; Gu et al., 2018). After all, consumer arousal levels determine the degree of exploratory purchasing tendencies and diversity seeking behaviors in situations such as shopping (Raju, 1980, p. 276; Menon and Kahn, 1995, p. 285) The search for diversity in the context of online shopping can increase online store comparison behavior; therefore, the search for diversity is seen as an important motivation in the online context (Rohm, & Swaminathan, 2004, p. 750).

Environmental psychology proposed by Mehrabian and Russell (1974) deals with environmental stimuli. The online retail environment does not have some of the traditional dimensions such as ambient temperature, odor, texture. In the context of online retail, visual design emerges consumers' spending long time on websites and increasing intention in their purchases (Koo & Ju, 2010, p. 195). Exploratory behavior is related to the amount of time that an individual uses a computer, and exploratory use causes spending longer hours on internet (Ghani & Deshpande, 1994, p. 383). Justified action and planned behavior theories argue that the intention to perform a certain behaviour in information technologies will lead to its actual behaviour (Korzaan, 2003, p. 26-27)

Consumers who are seeking for exploratory information like not only talking their consumption experiences but also following advertisements and promotional activities (Baumgartner & Steenkamp, 1996). Ort and Bourrain (2005) pointed out that the stimulus that triggers specific behavior stemming from curiosity is unique and that exploratory information seeking behavior includes interpersonal communication and exchange dimensions. They stated that the multifaceted behavior resulting from curiosity was affected by stimuli. According to Hanna and Wagle (1988), highly aroused consumers are more exposed to mass media. Hanna and Wagle (1988) also stated that consumers with a high level of stimulation are more innovative than low aroused consumers for changing brands and approaching new products. Doing research on the internet affects the purchasing intention of consumers (Moe, 2003). Therefore, promotional activities and the design of websites of online stores affect purchase intention of consumers (Tsao & Chang, 2010, p. 1802-1803). Maignan and Lukas (1997) stated that internet helps to support pre-purchase phase, as it helps customers compare different options. Dickson (2000) states that it will not be possible for consumers to discover their interests without the internet. As the variety of promotional tools is increasing rapidly, marketing managers can choose the most appropriate promotional application among many alternatives to get the best results (Raju, 1995). Kwak et al. (2002) found that consumers looking for product information online are more likely to purchase (Aljukhadar & Senecal, 2011, p. 423). Consumers with a high level of opinion seeking behaviour tend to search for more information and advice from others during a purchase decision process (Flynn et al. 1996).

Accordingly, this research's, "H<sub>3</sub>," hypothesis is as follows.

"H<sub>3</sub>." Exploratory information seeking has a significant impact on online purchase intention.

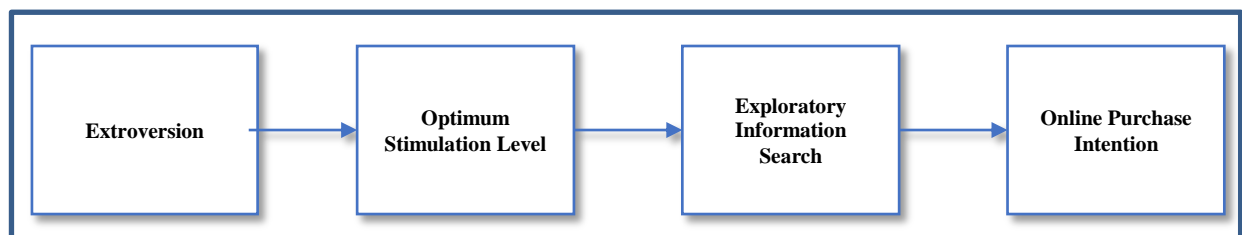


Figure 1. Research Model

Figure 1 pointed out the reserch model in the study and in line with this literature review, in the context of Turkish culture, the effect of exploratory information seeking tendencies on online purchase intention as a result of stimulation of extroverted individuals will contribute to the field of marketing.

## METHODOLOGY

### *Sample*

The universe of this research consists of people who tends to shop online. The survey was continued with individuals who confirmed that they had a tendency to shop online before starting the survey. The sample of this study consists of 410 respondents. Responses of 9 participants collected at extreme points were excluded from the analysis. The analyzes were continued over 401 datas. The convenience sampling method was used to collect data from the participants. A face-to-face survey method was applied to people who voluntarily approved to answer the survey questions in 2018, in Adana, Turkey.

### Instruments

In the first part of the form; the personality scale created by John and Srivastava (1999) was used to determine the extroversion characteristics of the participants. There are a total of 7 questions created by Steemkamp and Baumgartner (1995) to measure the level of stimulation level. The scale created by Baumgartner and Steemkamp (1996) was used to measure participants' exploratory information seeking tendencies. In order to measure the online purchase intention of the participants, 3 questions formed by Hong and Cha (2013) were asked. (see Appendix A). In addition, in the last part, a total of 6 questions were asked to measure the gender, age, marital status, income level and educational status of the participants, the time they spent on the Internet, and the frequency of their shopping on the Internet. The survey was employed to collect data in Turkey.

**Table 1.** Scales Used In The Study

Scale Name	Source	Number of Items
Extroversion	John ve Srivastava (1999)	6
Change Seeker	Steemkamp ve Baumgartner (1995)	7
ExploratoryInformation Seeking	Baumgartner ve Steemkamp (1996)	10
Online Purchase Intention	Hong ve Cha (2013)	3

### FINDINGS

In total 49.9% of the respondents are male, 50.1% are female. In terms of the marital status distribution of the participants, 34.4% are married, 65.6% are single. In terms of age distribution of the participants, 35.9% are 18-25 years old, 41.6% are 26-35 years old, 14% are 36-45 years old, 34% are over 46 years old. Educational status of the the respondents is found as 8.5% are primary school graduate, 52.4% are high school graduate and 39.1% are undergraduate. As the final demographic variable, household income status of the people participating in the study is examined; 24.9% between 2000-2999 TL, 28.2% between 3000-3999 TL, 15.5% between 4000-4999 TL, 14.2% between 5000-5999 TL and 7% has been determined that they have an income between 6000-6999 TL, 4.2% between 7000-7999 TL and 6% over 8000 TL. Participants spend an average of 5 hours 46 minutes on the Internet.

As can be seen from Table 2,  $\chi^2$ , df,  $\chi^2/df$ , root mean square residual (RMR), goodness of fit index (GFI), comparative fit index (CFI) (Bentler, 1990) and Tucker-Lewis Index (TLI; Tucker and Lewis, 1973) measures were used to assess the measurement equivalence of the variables. In the CFA, all variables were first specified to load onto a single factor. In the second step all the variables were loaded on different factors and the improvement in the goodness of fit measures is investigated.

**Table 2.** Fit Statistics For Measurement Models

Model	$\chi^2$	df	$\chi^2/df$	RMR	GFI	CFI	TLI
One factor model a	4075,633	350	11.645	0,193	0,505	0,417	0,371
Four factor model b	953,785	343	2,786	268,095	0,848	0,903	0,889

**Notes:** a All items load on to one factor; b items load on to four factors as extroversion, optimum stimulation level, exploratory information seeking and online purchase intention.

Table 2 shows that the reduction in  $\chi^2$  and  $\chi^2/df$  ratio is significant from the one factor model to four factor model. The other fit indexes (i.e. RMR, GFI, CFI and TLI) are all above or very close to generally accepted levels. The improvement in  $\chi^2/df$  and other indices shows us that the four factor model fits the data better than the one and three factor models. This reveals that all variables measured in this research can be differentiated and are distinct constructs.

A If the reliability coefficient varying between 0 and 1 has a value of 0.6 or less, it is generally expressed as insufficient internal consistency (Malhotra & Birks, 2006, p. 314). When the reliability coefficient of the

variables in Table 3 is examined, it is seen that all values are greater than 0.6 and this is a desired condition for an adequate level of internal consistency.

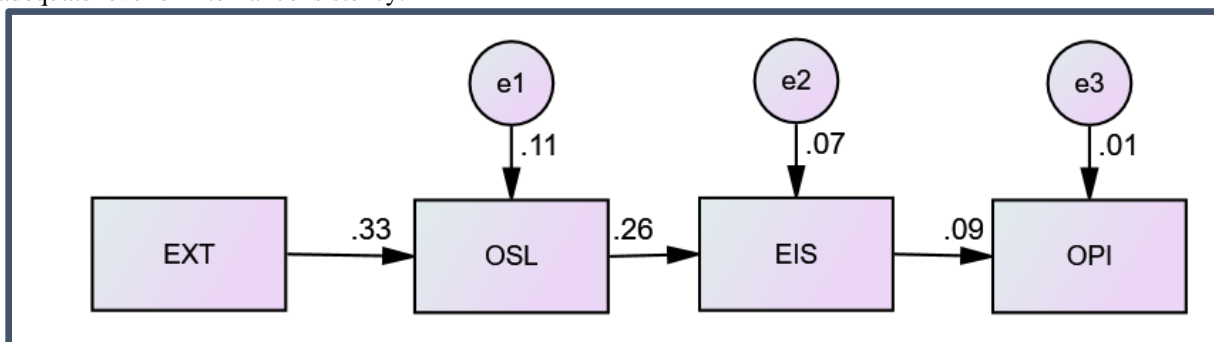


Figure 2. Path Analyse Result

EXT: Extroversion, OSL: Optimum Stimulation Level, EIS: Exploratory Information Search, OPI: Online Purchase Intention

Table 3. Means, Standard Deviations And Correlations Between Variables And Reliabilities Of Scales

	$\alpha$	M	SD	1	2	3
1. Extroversion	.88	3,61	0,89			
2. Optimum Stimulation Level	.94	3,52	1,07	0,326**		
3. Exploratory Information Seeking	.89	2,49	0,83	0,60	0,264**	
4. Online Purchase Intention	.75	4,98	0,59	0,056	0,062	0,09

Notes: \*\*p <.01 \*p<.05

Table 4. Regression Weights of Variables In The Model

			Estimate	S.E.	C.R.	P
SL	O	<-- Extroversion	,392	,057	6,892	,000
SI	E	<-- Optimum Stimulation Level	,206	,038	5,485	,000
PI	O	<-- Exploratory Information Seeking	,065	,035	1,841	,066

The model fit values appears that our model is well established. X2/df ratio is .539, CFI is 1 NFI is .979 and RMSEA is .00 for the model. And the regression table 4 above shows that the effect of extroversion on the stimulation level and the effect of stimulation level on information seeking are significant. At the last step, even though the effect of information seeking behavior on purchasing intention is slightly over the common level, for mediation it can be seen as acceptable (Barron and Kenny, 1986).

## CONCLUSION

Confirmatory factor analysis was conducted by using AMOS 6 to test convergent and discriminant validity of the scales that are used in this study. Although these measures are well established in USA, it was important to investigate the measurement equivalence of the instruments and their applicability in Turkish contexts. The results of the study reveals that all hypotheses “H<sub>1</sub>:” Extroversion has a significant effect on optimum stimulation level”, “H<sub>2</sub>:” Optimum stimulation level has a significant effect on exploratory information seeking” and “H<sub>3</sub>:” Exploratory information seeking has a significant impact on online purchase intention.”are all supported. Boedeker (1995) stated in his study that there is a positive correlation between consumers who shop for entertainment and their optimum stimulation level. When the website is quite entertaining (3D pictures, music, colors, etc.), arousal will increase for visitors with high stimulation levels (Richard & Chebat, 2016). Individuals with high arousal levels improve their flow state in their interactions with computer-mediated

environments, while individuals with low arousal levels experience anxiety in their interactions with computer-mediated environments (Novak & Hoffman, 1996, p. 61). Based on the results of the research, it is thought that organizing promotional activities that will increase the stimulation level of consumers can be beneficial for the companies especially for those launching new products or services.

More exploratory consumers tend to show more interest in sales promotions that encourage and offer added value (Chandon et al., 2000). In addition Lepp & Gibson (2008) found out a significant relationship between stimulation and purchase intention in the selection of alternatives. Consumers with low arousal levels prefer normal and easily accessible websites because they don't look for novelty, variety and they also don't want to take some risks especially when they are online. Individuals with a high level of OSL prefer extraordinary websites with their originality and innovativeness because they need to be stimulated and they look for different stimuli, they can search more and search more information; because they are motivated by curiosity. The websites need to be attractive so that they can properly evaluate the content of the websites and they can keep them longer. Sales messages that are not only exciting, intriguing, innovative but also stimulating can also be beneficial for them. For example, it would be better to create advertisements which motivate extrovert consumers' social behavior. It may be beneficial for companies to reach their customers according to the sector they are affiliated with, especially when creating their promotional activities. For example, when a tourism company designs a tour package, it may be beneficial to provide all kinds of detailed information on the website (different restaurant names, information about the ways of transportation from the hotel they will stay to the historical places, payment options, etc.). On the other hand, the website of a hospital in question may be suggested to give information such as offering service to the companions of the patients. It is also recommended to make different promotional campaigns for different target groups. For instance, for low stimuli levels such as elderly or retired consumers, it is recommended to give messages that include lower risk or reduce uncertainty especially for technological products. It is also thought that a pre-offer make consumers try out different experiences such as offering a free lunch for the promotion of a newly opened hotel and making this offer visible on their website. These kinds of promotional activities can be an opportunity for increasing the level of stimulation of consumers. In addition Lepp & Gibson (2008) found out a significant relationship between stimulation and purchase intention in the selection of tourism destinations. Since the results of the study reveals that extroverts feel the need for stimulation, they will be very interested in the media and they will seek information so it is recommended for the companies to deliver interesting and explanatory messages of their products especially on social media. (sharing videos, organizing diverse and attractive sales promotions, inviting consumers for involving in product use). Consumer behavior research has linked the exploratory searches of consumers to the presence of their stimulation level (e.g., novelty, diversity, difference, curiosity, or a personal reason for change). It is thought that it will be an important source of motivation for the consumers who are looking for diversity in the context of online shopping by increasing the variety of the products or offering new products that can create alteration for the consumers.

In future studies, researching different personality traits towards omnichannel purchase intention could contribute to make comparisons between different personality traits and purchasing intentions. In addition, in future studies, comparisons can be made between Generation X, Generation Y and Generation Z, and differences and common aspects between generations can be determined. Finally, since studies can be conducted in different cultures it will contribute to revealing differences or similarities between cultures and can be presented as suggestions for future studies.

## REFERENCES

- Aljukhadar, M., & Senecal, S. (2011). Segmenting the online consumer market. *Marketing Intelligence & Planning*, 29(4), 421-435. <https://doi.org/10.1108/02634501111138572>
- Athapaththu, JC, & Kulathunga, KMSD (2018). Factors affecting online purchase intention: Effects of technology and social commerce. <https://doi.org/10.5539/ibr.v11n10p111>
- Avornyo, P., Fang, J., Antwi, CO, Aboagye, MO, & Boadi, EA (2019). Are customers still with us? The influence of optimum stimulation level and IT-specific traits on mobile banking discontinuous usage intentions. *Journal of Retailing and Consumer Services*, 47, 348-360. <https://doi.org/10.1016/j.jretconser.2019.01.001>

- Bakker, AB, Van Der Zee, KI, Lewig, KA, & Dollard, MF (2006). The relationship between the big five personality factors and burnout: A study among volunteer counselors. *The Journal of social psychology, 146*(1), 31-50. <https://doi.org/10.3200/SOCP.146.1.31-50>
- Baron, RM, & Kenny, DA (1986). The moderator–mediator variable distinction in social psychological research: Conceptual, strategic, and statistical considerations. *Journal of personality and social psychology, 51*(6), 1173. <https://doi:10.1037/0022-3514.51.6.1173>
- Baumgartner, H., & Steenkamp, JBE (1996). Exploratory consumer buying behavior: Conceptualization and measurement. *International journal of Research in marketing, 13*(2), 121-137. [https://doi:10.1016/0167-8116\(95\)00037-2](https://doi:10.1016/0167-8116(95)00037-2)
- Blackburn, R. (1969). Sensation seeking, impulsivity, and psychopathic personality. *Journal of consulting and clinical psychology, 33*(5), 571. <https://doi:10.1037/h0028301>
- Boedecker, M. (1995)., "Optimum Stimulation Level and Recreational Shopping Tendency", in E European Advances in Consumer Research Volume 2, eds. Flemming Hansen, Provo, Association for Consumer Research, Pages: 372-380.
- Chandon, P., Wansink, B., & Laurent, G. (2000). A benefit congruency framework of sales promotion effectiveness. *Journal of marketing, 64*(4), 65-81. <https:// 10.1509/jmkg.64.4.65.18071>
- Costa, PT, & McCrae, RR (1992). Normal personality assessment in clinical practice: The NEO Personality Inventory. *Psychological assessment, 4*(1), 5. <https:// 10.1037/1040-3590.4.1.5>
- Dabholkar, PA, & Bagozzi, RP (2002). An attitudinal model of technology-based self-service: moderating effects of consumer traits and situational factors. *Journal of the academy of marketing science, 30*(3), 184-201. <https:// 10.1177/0092070302303001>
- Dhar, J., & Jha, AK (2014). Analyzing social media engagement and its effect on online product purchase decision behavior. *Journal of Human Behavior in the Social Environment, 24*(7), 791-798. <https:// 10.1080/10911359.2013.876376>
- Dickson, PR (2000). Understanding the trade winds: The global evolution of production, consumption, and the Internet. *Journal of Consumer Research, 27*(1), 115-122. <https://10.1086/314313>
- Flynn, LR, Goldsmith, RE, & Eastman, JK (1996). Opinion leaders and opinion seekers: Two new measurement scales. *Journal of the academy of marketing science, 24*(2), 137-147. <https:// 10.1177/0092070396242004>
- Ghani, JA, & Deshpande, SP (1994). Task characteristics and the experience of optimal flow in human computer interaction. *The Journal of psychology, 128*(4), 381-391. <https:// 10.1080/00223980.1994.9712742>
- Gu, R., Jiang, Z., Oh, LB, & Wang, K. (2018). Exploring the impact of optimum stimulation level on individual perceptions of IT innovations: a trait hierarchical model perspective. *ACM SIGMIS Database: the DATABASE for Advances in Information Systems, 49*(1), 67-92. <https:// /10.1145/3184444.3184450>
- Guido, G., Capestro, M., & Peluso, AM (2007). Experimental shopping analysis of consumer stimulation and motivational states in shopping experiences. *International Journal of Market Research, 49*(3), 365-386. <https://10.1177/147078530704900307>
- Hanna, N., & Wagle, JS (1988). Who is your satisfied customer? *Journal of Services Marketing, 2*(3), 5-13. <https:// 10.1108/eb024728>



- He, WJ, Wong, WC, & Hui, ANN (2017). Emotional reactions mediate the effect of music listening on creative thinking: Perspective of the arousal-and-mood hypothesis. *Frontiers in psychology*, 8, 1680. <https://10.3389/fpsyg.2017.01680>
- Hong, IB, & Cha, HS (2013). The mediating role of consumer trust in an online merchant in predicting purchase intention. *International Journal of Information Management*, 33(6), 927-939. <https://10.1016/j.ijinfomgt.2013.08.007>
- Hoyer, WD, & Ridgway, NM (1984). Variety seeking as an explanation for exploratory purchase behavior: A theoretical model. *ACR North American Advances*.
- Kiel, GC, & Layton, RA (1981). Dimensions of consumer information seeking behavior. *Journal of marketing Research*, 18(2), 233-239. <https://doi.org/10.1177/002224378101800210>
- Koo, DM, & Ju, SH (2010). The interactional effects of atmospherics and perceptual curiosity on emotions and online shopping intention. *Computers in Human Behavior*, 26(3), 377-388. <https://10.1016/j.chb.2009.11.009>
- Korzaan, ML (2003). Going with the flow: Predicting online purchase intentions. *Journal of Computer Information Systems*, 43(4), 25-31. <https://10.1080/08874417.2003.11647530>
- Kwak, H., Fox, RJ, & Zinkhan, GM (2002). What products can be successfully promoted and sold via the internet?. *Journal of advertising research*, 42(1), 23-38. <https://10.2501/JAR-42-1-23-38>
- Langelaan, S., Bakker, AB, Van Doornen, LJ, & Schaufeli, WB (2006). Burnout and work engagement: Do individual differences make a difference?. *Personality and individual differences*, 40(3), 521-532. <https://10.1016/j.paid.2005.07.009>
- Legohérel, P., Daucé, B., Hsu, CH, & Ranchhold, A. (2009). Culture, time orientation, and exploratory buying behavior. *Journal of International Consumer Marketing*, 21(2), 93-107. <https://10.1080/08961530802153029>
- Lepp, A., & Gibson, H. (2008). Sensation seeking and tourism: Tourist role, perception of risk and destination choice. *Tourism Management*, 29(4), 740-750. <https://10.1016/j.tourman.2007.08.002>
- Leuba, C. (1955). Toward some integration of learning theories: The concept of optimal stimulation. *Psychological Reports*, 1(1), 27-33. <https://doi.org/10.2466/pr0.1955.1.g.27>
- Ludvigh, EJ, & Happ, D. (1974). Extraversion and preferred level of sensory stimulation. *British Journal of Psychology*, 65(3), 359-365. <https://10.1111/j.2044-8295.1974.tb01410.x>
- Mahatanankoon, P. (2007). The effects of personality traits and optimum stimulation level on text-messaging activities and m-commerce intention. *International Journal of Electronic Commerce*, 12(1), 7-30. <https://10.2753/JEC1086-4415120101>
- Maignan, I., & Lukas, BA (1997). The nature and social uses of the Internet: A qualitative investigation. *Journal of Consumer Affairs*, 31(2), 346-371. <https://10.1111/j.1745-6606.1997.tb00395.x>
- Matzler, K., Bidmon, S., & Grabner-Kräuter, S. (2006). Individual determinants of brand affect: the role of the personality traits of extraversion and openness to experience. *Journal of product & brand management*. <https://10.1108/10610420610712801>
- McAlister, L., & Pessemier, E. (1982). Variety seeking behavior: An interdisciplinary review. *Journal of Consumer research*, 9(3), 311-322. <https://10.1086/208926>

- McCrae, RR, & Costa Jr, PT (1989). Reinterpreting the Myers-Briggs type indicator from the perspective of the five-factor model of personality. *Journal of personality*, 57(1), 17-40. <https://doi.org/10.1111/j.1467-6494.1989.tb00759.x>
- McReynolds, P. (1971). Behavioral choice as a function of novelty-seeking and anxiety-avoidance motivations. *Psychological reports*, 29(1), 3-6. <https://doi.org/10.2466/pr0.1971.29.1.3>
- Mehrabian, A., & Russell, JA (1974). *An approach to environmental psychology*. the MIT Press.
- Menon, S., & Kahn, BE (1995). The impact of context on variety seeking in product choices. *Journal of Consumer Research*, 22(3), 285-295. <https://doi.org/10.1086/209450>
- Moe, WW (2003). Buying, searching, or browsing: Differentiating between online shoppers using in-store navigational clickstream. *Journal of consumer psychology*, 13(1-2), 29-39. [https://doi.org/10.1207/S15327663JCP13-1&2\\_03](https://doi.org/10.1207/S15327663JCP13-1&2_03)
- Novak, TP, Hoffman, DL, & Yung, YF (1996). Modeling the structure of the flow experience, web users, Marketing science and the internet mini-conference, 1-14.
- Orth, UR, & Bourrain, A. (2005). Optimum stimulation level theory and the differential impact of olfactory stimuli on consumer exploratory tendencies, *Advances in Consumer Research* 32, 613-619.
- Pavlou, PA (2003). Consumer acceptance of electronic commerce: Integrating trust and risk with the technology acceptance model. *International journal of electronic commerce*, 7(3), 101-134. <https://doi.org/10.1080/10864415.2003.11044275>
- Picazo-Vela, S., Chou, SY, Melcher, AJ, & Pearson, JM (2010). Why provide an online review? An extended theory of planned behavior and the role of Big-Five personality traits. *Computers in Human Behavior*, 26(4), 685-696. <https://doi.org/10.1016/j.chb.2010.01.005>
- Raja, U., Johns, G., & Ntalianis, F. (2004). The impact of personality on psychological contracts. *Academy of management Journal*, 47(3), 350-367. <https://doi.org/10.5465/20159586>
- Raju, JS (1995). Theoretical models of sales promotions: Contributions, limitations, and a future research agenda. *European Journal of Operational Research*, 85(1), 1-17. [https://doi.org/10.1016/0377-2217\(94\)00275-H](https://doi.org/10.1016/0377-2217(94)00275-H)
- Raju, PS (1980). Optimum stimulation level: Its relationship to personality, demographics, and exploratory behavior. *Journal of consumer research*, 7(3), 272-282. <https://doi.org/10.1086/208815>
- Richard, MO, & Chandra, R. (2005). A model of consumer web navigational behavior: conceptual development and application. *Journal of business Research*, 58(8), 1019-1029. <https://doi.org/10.1016/j.jbusres.2004.04.001>
- Richard, MO, & Chebat, JC (2016). Modeling online consumer behavior: Preeminence of emotions and moderating influences of need for cognition and optimal stimulation level. *Journal of Business Research*, 69(2), 541-553. <https://doi.org/10.1016/j.jbusres.2015.05.010>
- Rohm, AJ, & Swaminathan, V. (2004). A typology of online shoppers based on shopping motivations. *Journal of business research*, 57(7), 748-757. [https://doi.org/10.1007/978-1-4615-0763-5\\_2](https://doi.org/10.1007/978-1-4615-0763-5_2)
- Rolland, JP (2002). The cross-cultural generalizability of the Five-Factor model of personality.
- Rowley, J. (2000). Product search in e-shopping: a review and research propositions. *Journal of consumer marketing*. <https://doi.org/10.1108/07363760010309528>

- Smith, DN, & Sivakumar, K. (2004). Flow and Internet shopping behavior: A conceptual model and research propositions. *Journal of Business Research*, 57(10), 1199-1208. [https://10.1016/S0148-2963\(02\)00330-2](https://10.1016/S0148-2963(02)00330-2)
- Soares, AM, Shoham, A., Farhangmehr, M., & Rubio, A. (2008). *Exploratory behavior: a Portuguese and British study*. ACR North American Advances.
- Steenkamp, JBE, & Baumgartner, H. (1992). The role of optimum stimulation level in exploratory consumer behavior. *Journal of consumer research*, 19(3), 434-448. <https://10.1086/209313>
- Steenkamp, JBE, & Baumgartner, H. (1995). Development and cross-cultural validation of a short form of CSI as a measure of optimum stimulation level. *International Journal of Research in Marketing*, 12(2), 97-104. [https://10.1016/0167-8116\(93\)E0035-8](https://10.1016/0167-8116(93)E0035-8)
- Steenkamp, JBE, & Burgess, SM (2002). Optimum stimulation level and exploratory consumer behavior in an emerging consumer market. *International Journal of Research in Marketing*, 19(2), 131-150. [https://10.1016/S0167-8116\(02\)00063-0](https://10.1016/S0167-8116(02)00063-0)
- Thoman, DB, Sansone, C., & Pasupathi, M. (2007). Talking about interest: Exploring the role of social interaction for regulating motivation and the interest experience. *Journal of Happiness Studies*, 8(3), 335-370. <https://10.1007/s10902-006-9016-3>
- Thoms, P., Moore, KS, & Scott, KS (1996). The relationship between self-efficacy for participating in self-managed work groups and the big five personality dimensions. *Journal of Organizational Behavior*, 17(4), 349-362. [https://10.1002/1099-1379\(199607\)17:4<349::AID-JOB756>3.0.CO;2-3](https://10.1002/1099-1379(199607)17:4<349::AID-JOB756>3.0.CO;2-3)
- Tsao, WC, & Chang, HR (2010). Exploring the impact of personality traits on online shopping behavior. *African journal of business management*, 4(9), 1800-1812. <https://10.5897/AJBM.9000280>
- Wolfenbarger, M., & Gilly, MC (2001). Shopping online for freedom, control, and fun. *California management review*, 43(2), 34-55. <https://10.2307/41166074>
- Venkatraman, MP, & MacInnis, DJ (1985). *The epistemic and sensory exploratory behavior of hedonic and cognitive consumers*. ACR North American Advances.
- Zhao, H., & Seibert, SE (2006). The big five personality dimensions and entrepreneurial status: A meta-analytical review. *Journal of applied psychology*, 91(2), 259.

#### **Author Contribution Rate**

The authors' contribution rates in the study are equal.

**APPENDIX A**

**Items marked with \* are reverse coded.**

**Extroversion**

I see Myself as Someone Who... \_\_\_\_

Is talkative

\*Is reserved

Is full of energy

Generates a lot of enthusiasm

\*Tends to be quiet

Has an assertive personality

\*Is sometimes shy, inhibited

Is outgoing, sociable

**OPTIMUM STIMULATION LEVEL**

\*I like to continue doing the same old things rather than trying new and different things

I like to experience novelty and change in my daily routine.

I like a job that offers change, variety, and travel, even if it involves some danger.

I am continually seeking new ideas and experiences.

I like continually changing activities.

When things get boring, I like to find some new and unfamiliar experience.

\*I prefer a routine way of life to an unpredictable one full of change.

**EXPLORATORY INFORMATION SEEKING**

\*Reading mail advertising to find out what's new is a waste of time.

I like to go window shopping and find out about the latest styles.

\*I get very bored listening to others about their purchases.

I generally read even my junk mail just to know what it is about.

\*I don't like to shop around just out of curiosity.

I like to browse through mail order catalogs even when I don't plan to buy anything.

\*I usually throw away mail advertisements without reading them.

I like to shop around and look at displays.

\*I don't like to talk to my friends about my purchases.

I often read advertisements just out of curiosity.

### **ONLINE PURCHASE INTENTION**

I would like to purchase a product from online stores

I would like to recommend my friends and family to purchase a product from online stores

If there is a product that I want to purchase, I would like to use the online store